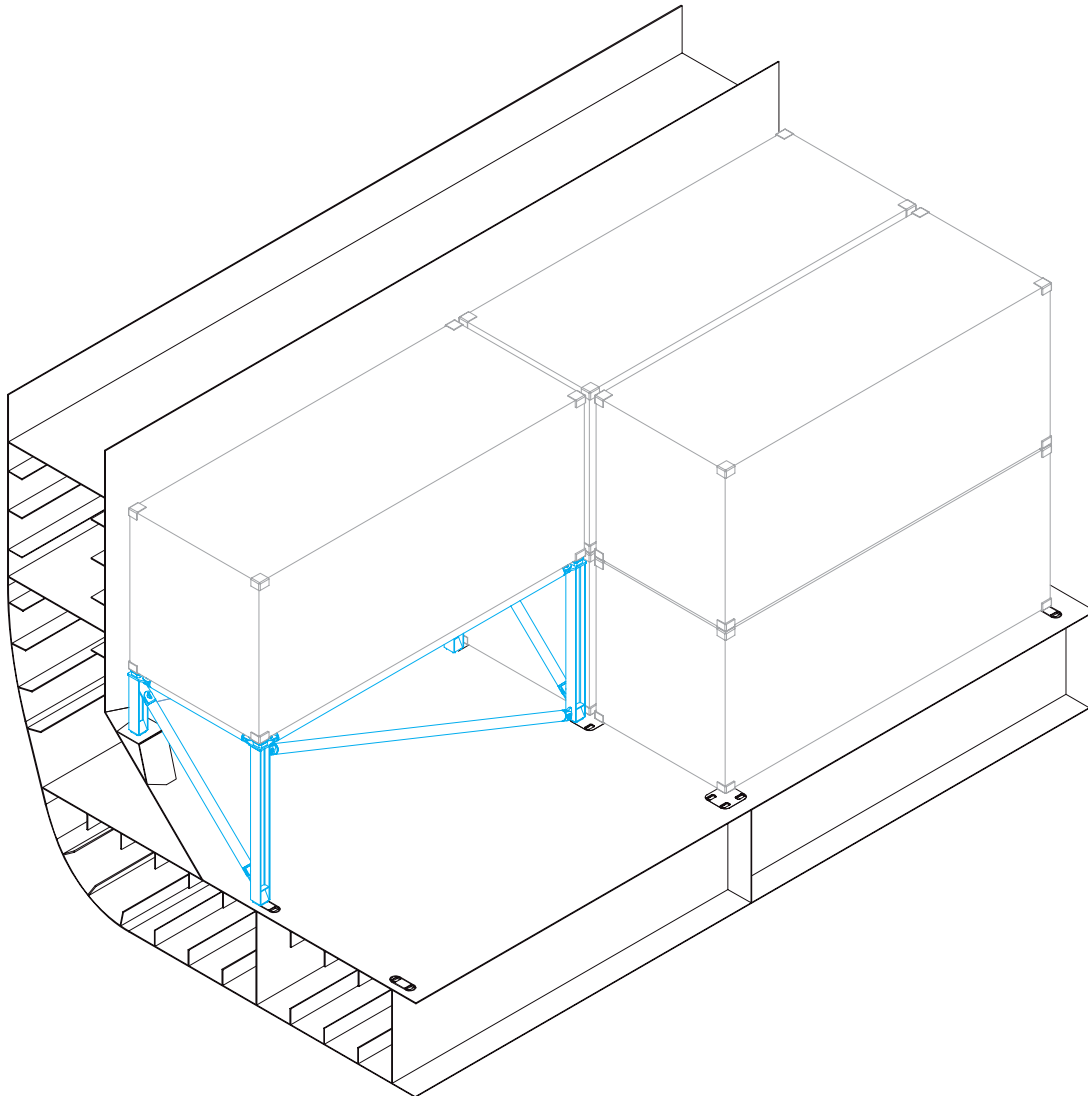


## CONTAINER BLIND TRESTLES

**Description**

Especially for multi purpose vessel which carry containers only in exceptional cases it might be unfavourable to install tank steps in accordance with ISO container dimension at positions where the hull form is inclining. For such vessels container blind trestles are the best choice for maximum container intake and easy securing solution. The blind trestles can be designed in fixed or removable execution.