

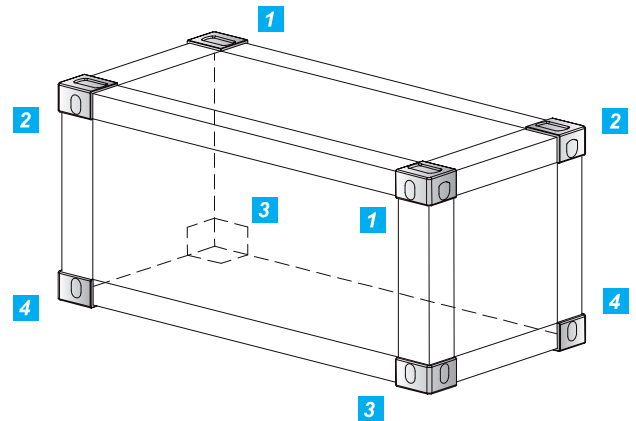
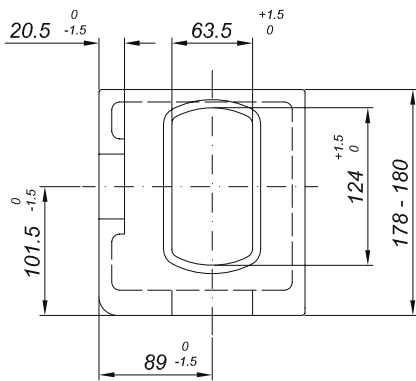
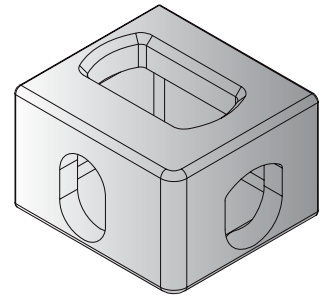
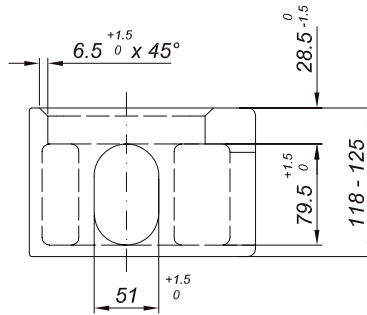
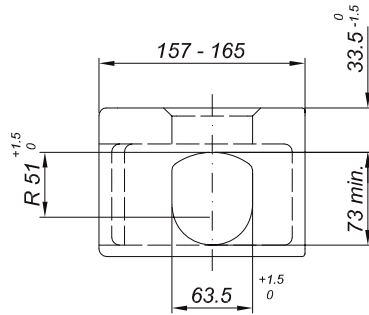
CONTAINER CORNER CASTINGS

Top corner fittings

Type 1 - upper left

(Type 2 mirror inverted - upper right)

In accordance with ISO 1161 (1984)



Bottom corner fittings

Type 3 - bottom left

(Type 4 mirror inverted - bottom right)

