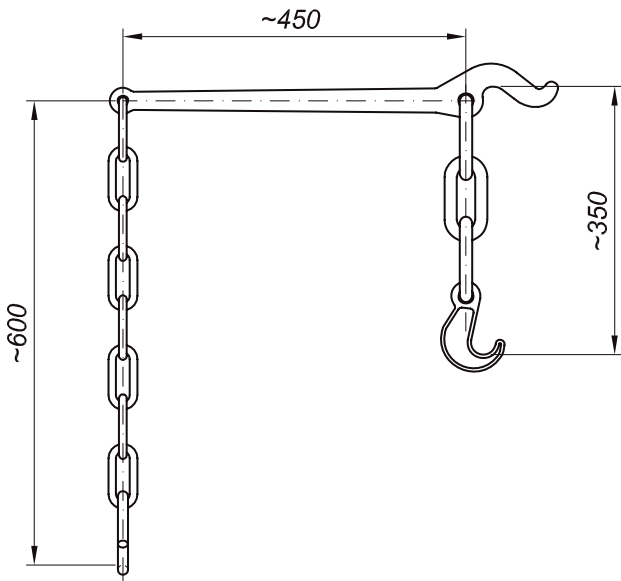


# SPANNERS FOR CHAINS

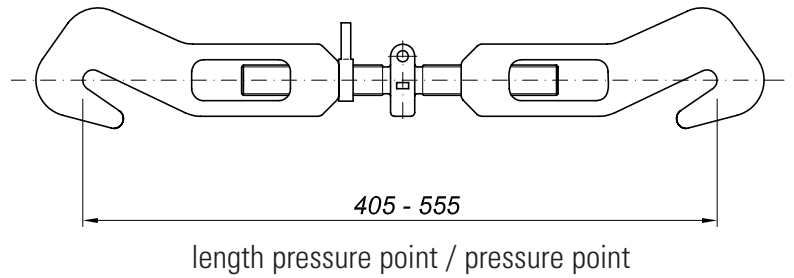
## Tension Lever

**C-TL-20**  
~ 5.3 kg



## Chain Turnbuckle

**RS-C/405-555**  
~ 3.6 kg



## Specification

- Min. breaking load tension 20000 daN
- Drop-forged (high tensile steel)
- Counter parts is long-link chain
- Tension lever will be painted (orange)
- Chain turnbuckle will be hot dip galvanised