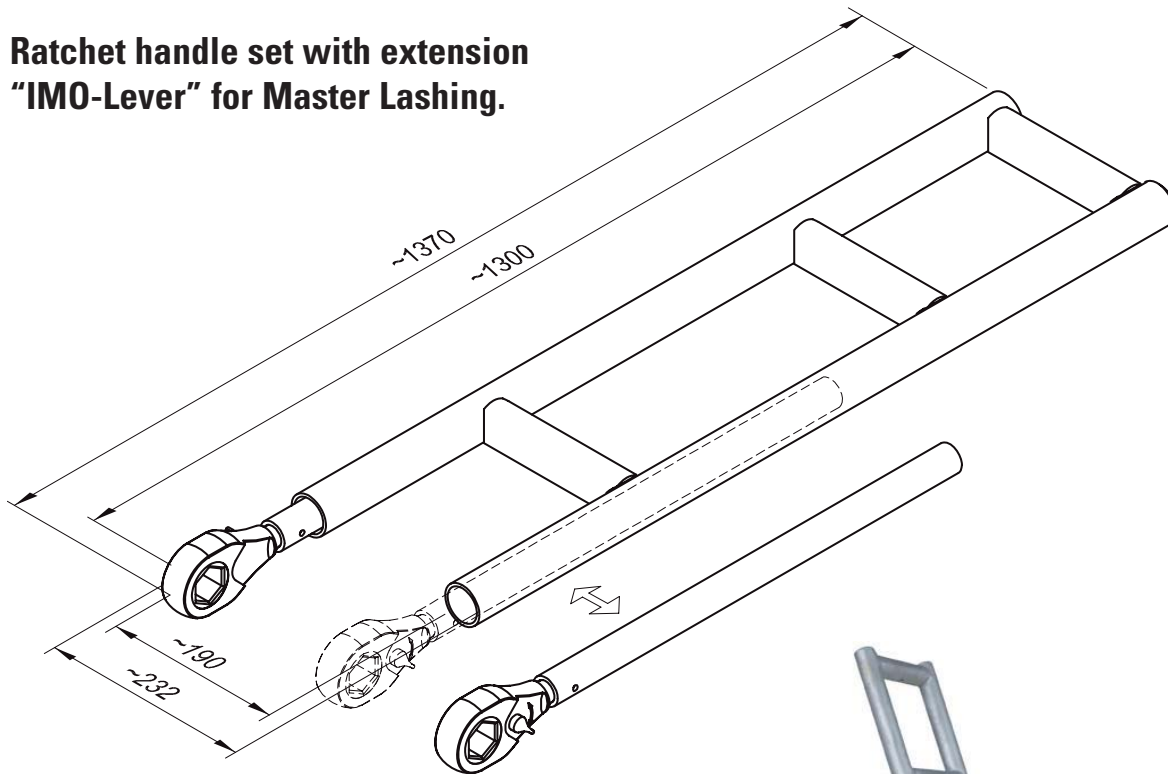


## SET OF IMO-LEVERS

### Ratchet handle set with extension "IMO-Lever" for Master Lashing.



### Ratchet handle with 32 mm box spanner



### Specification

- Light weight design
- IMO-lever hot dip galvanised
- High quality stainless steel ratchet
- One set consist of two ratchets and one extension
- Low budget solution for narrow working space is available on request