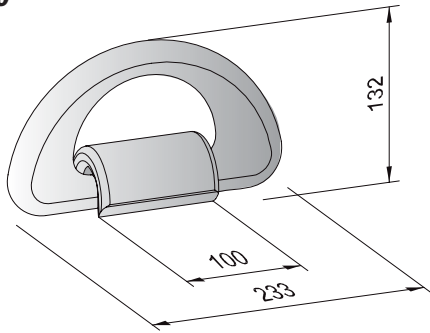
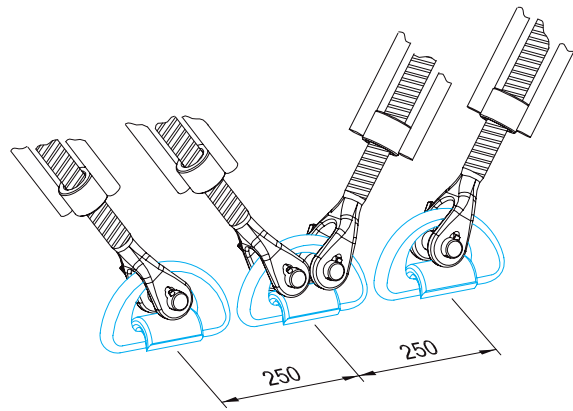


# D-RINGS

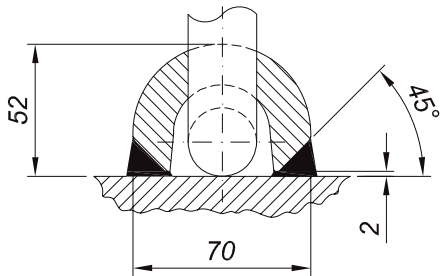
**DR-50**



Typical arrangement of D-rings for double cross lashing systems



Welding recommendation



Deck or hatch cover

## Specification

- Min. breaking load 500 kN
- Approval from any classification society
- Welding chamfer
- Drop forged D-ring and welding bow
- Made of high tensile steel
- Weldable inorganic zinc or epoxy shop primer