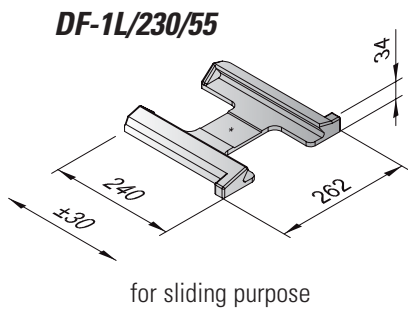
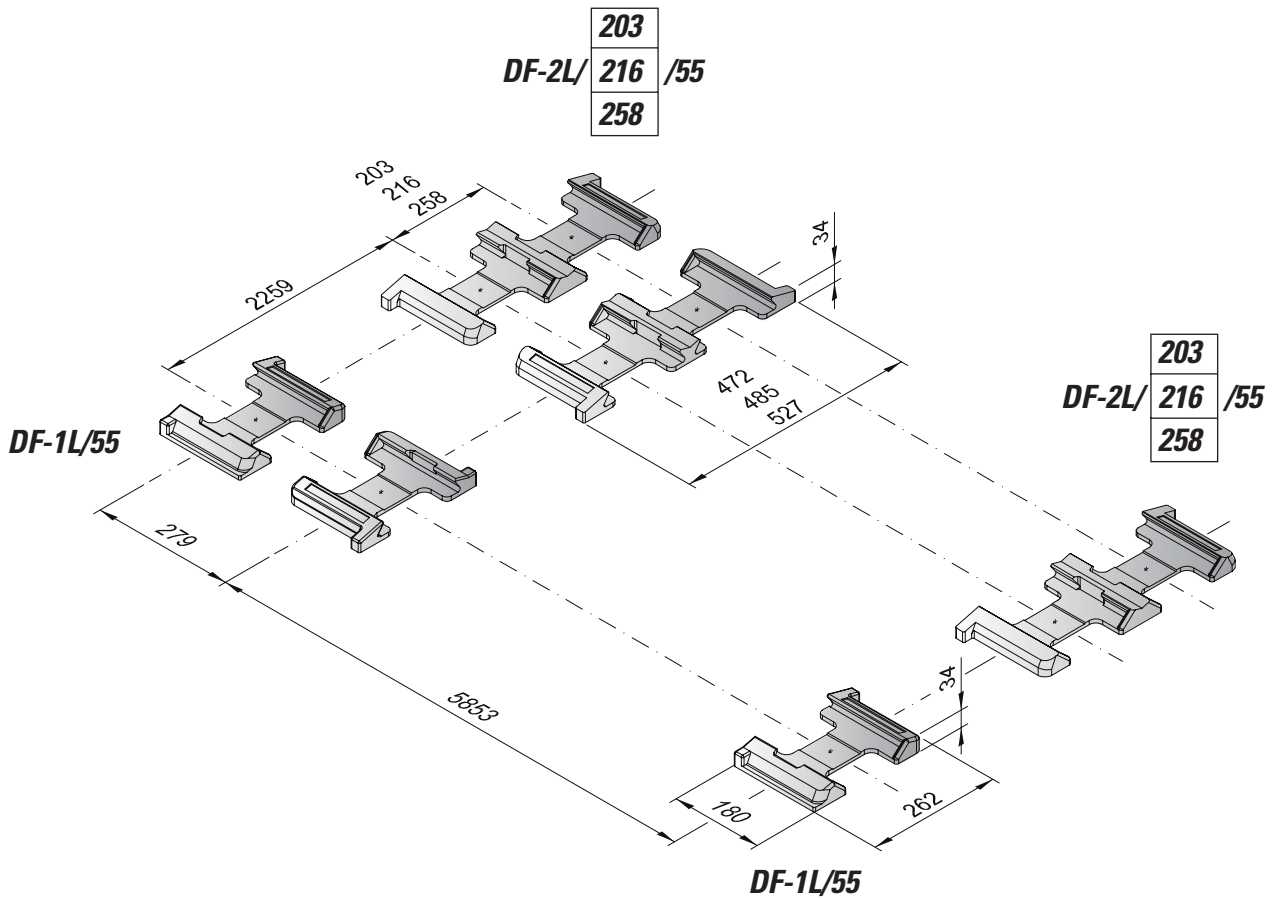
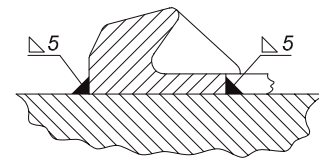


DOVETAIL FOUNDATIONS



Welding recommendation



Deck or hatch cover

Specification

- Min. breaking loads tension 500 kN / shear 420 kN
- Approval from any classification society
- Standard distances for double foundations 203/216/258 mm
- Guiding angle 55°
- Thickness of bottom plate 8 mm
- Made of casted steel
- Weldable inorganic zinc or epoxy shop primer
- Centre marking for easy installation