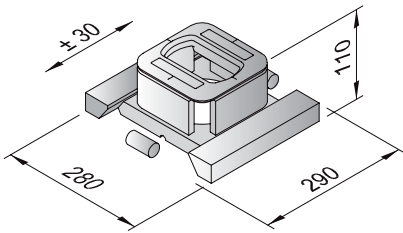


# SLIDING FOUNDATIONS

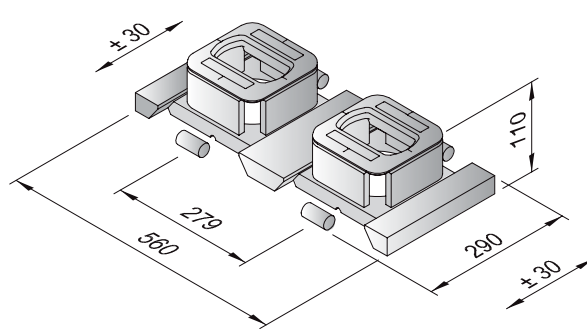
## Transversal sliding

Range  $\pm 30$

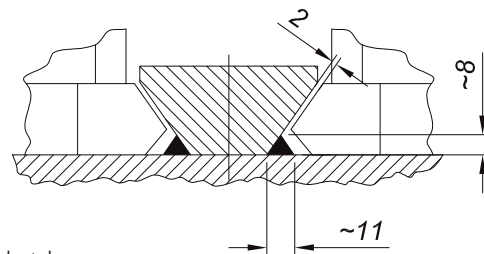
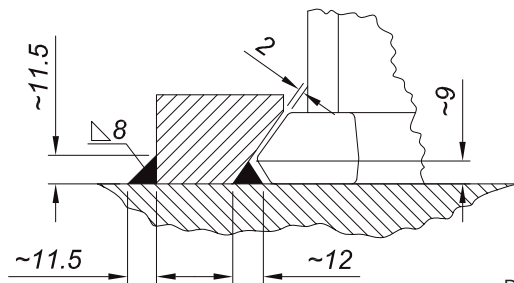
**SF-1Q/110**



**SF-3Q/110**



### Welding recommendation



Deck or hatch cover

## Specification

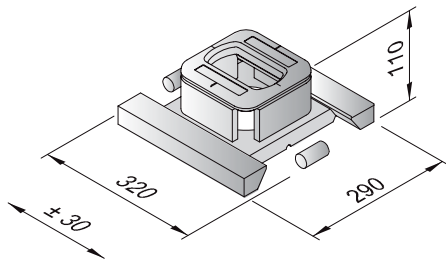
- Min. breaking loads tension 500 kN / shear 420 kN
- Approval from any classification society
- Standard height 110 mm
- Topplate with punchmarks for easy installation
- Standard distances for double foundations 203/216/258 mm
- Weldable inorganic zinc or epoxy shop primer
- Made of high tensile steel
- Standard sliding range  $\pm 30$  mm

# SLIDING FOUNDATIONS

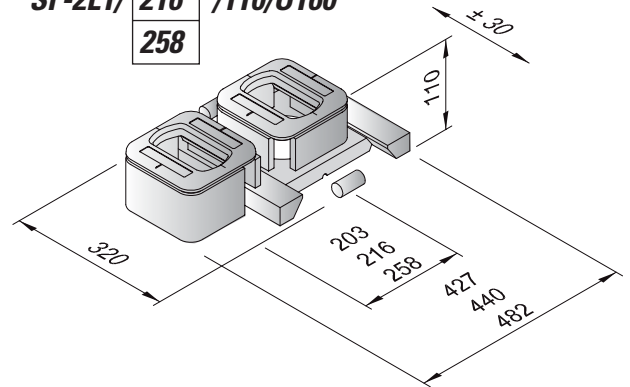
## Longitudinal sliding

Range  $\pm 30$

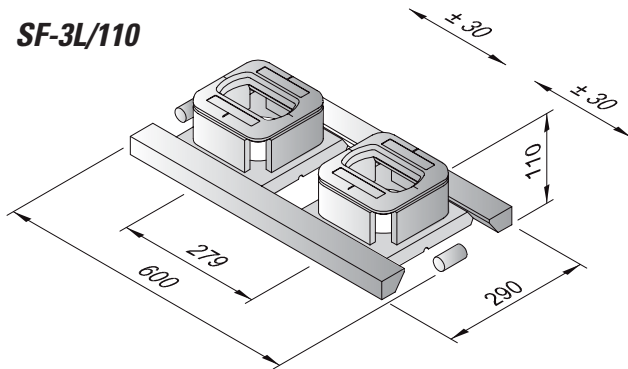
**SF-1L/110**



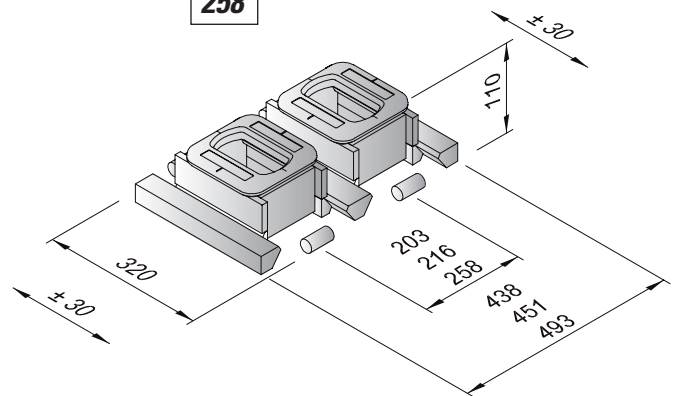
**SF-2L/203/216/258 /110/U160**



**SF-3L/110**



**SF-2L/203/216/258 /110**

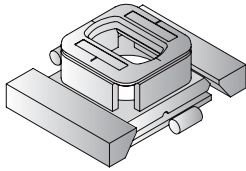


## Specification

- Min. breaking loads tension 500 kN / shear 420 kN
- Approval from any classification society
- Standard height 110 mm
- Topplate with punchmarks for easy installation
- Standard distances for double foundations 203/216/258 mm
- Weldable inorganic zinc or epoxy shop primer
- Made of high tensile steel
- Standard sliding range  $\pm 30$  mm

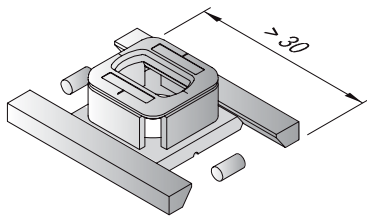
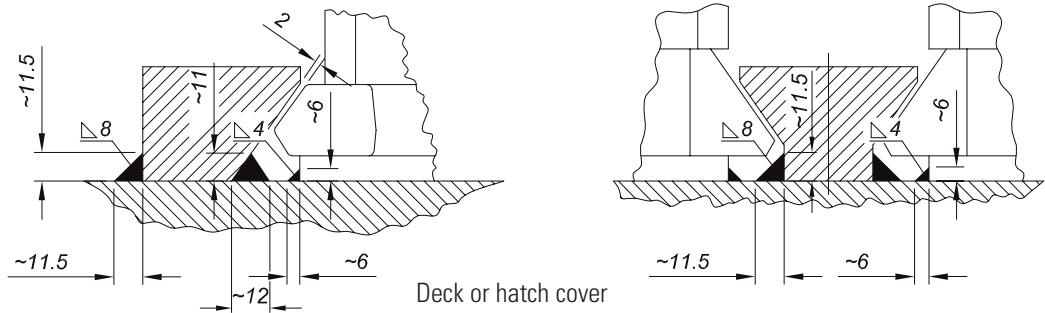
# SLIDING FOUNDATIONS

## Options and variations for sliding foundations

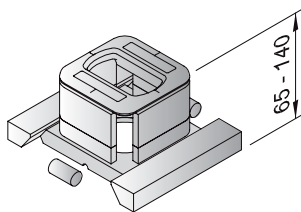


- Sliding foundations with wear plate.

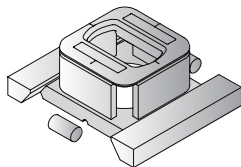
Welding recommendation



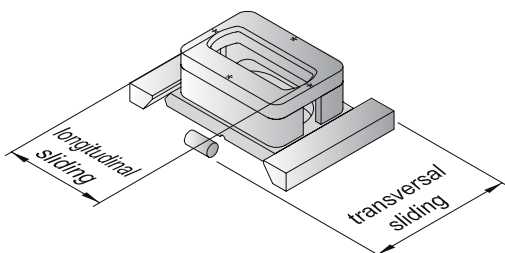
- Sliding foundations with special sliding range.



- Sliding foundations with separate wedge plate for height adjustment on board.



- Loose part of sliding foundation hot dip galvanized.



- Transversal sliding foundation combined with elongated ISO-hole for transversal and longitudinal shifting.