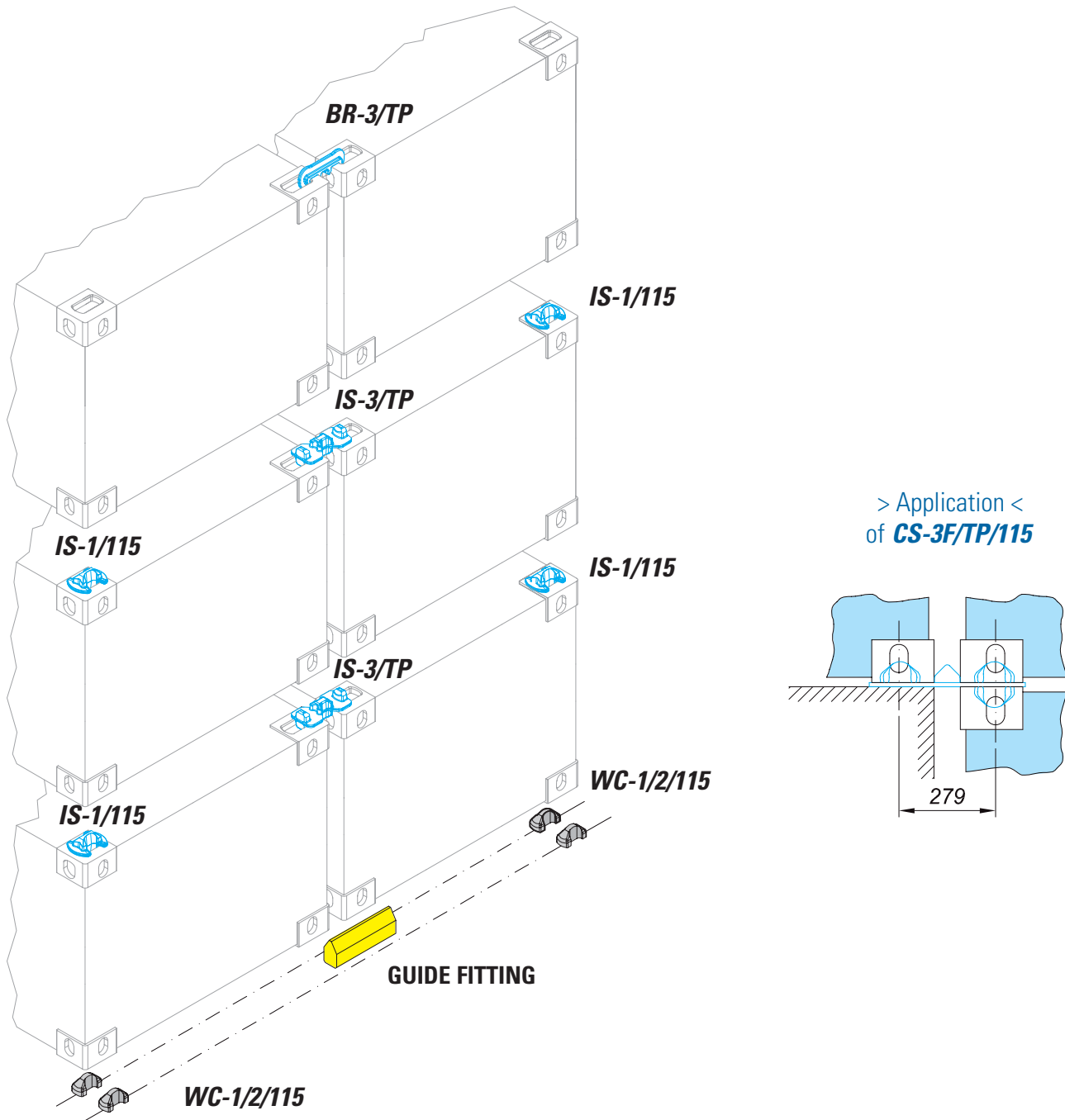


ANTI-RACK-SPACER



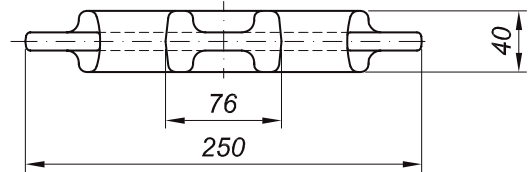
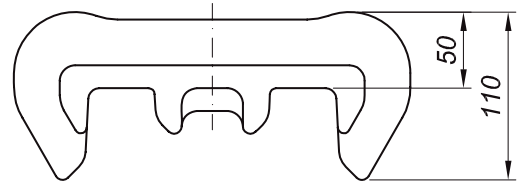
Specification

- Min. breaking loads tension / compression 400 kN for intermediate types respectively 200 kN for type BR-3/TP
- Approval from any classification society
- To be used for longitudinal connection of 20' containers within 40' cellguides
- Drop forged execution (except CS-3F/TP/115 which should be used exclusively on 20' tanksteps) for close fit with corner casting as requested by classification societies
- Hot dip galvanised

ANTI-RACK-SPACER

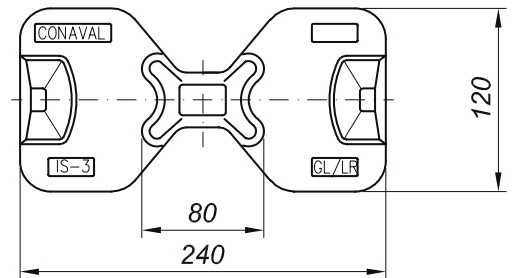
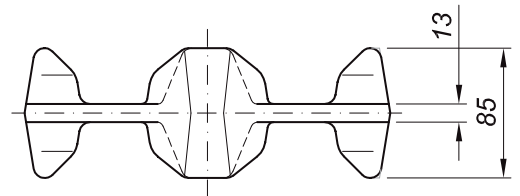


BR-3/TP
~ 2.6 kg



IS-3/TP
~ 4.7 kg

PATENTED



CS-3F/TP/115
~ 9.8 kg

