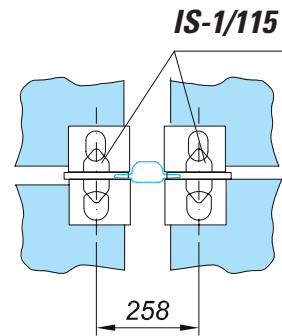
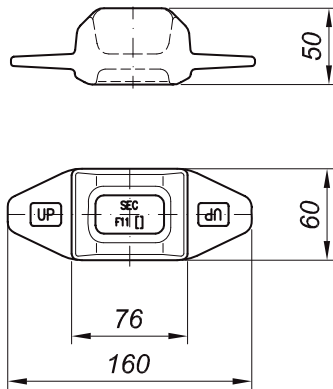


# PRESSURE ADAPTERS



**DA-IS/258**  
~ 1.4 kg

> Application <



## Specification

- Min. breaking load compression up to 1200 kN
- Approval from any classification society
- To be used in combination with single stacking cones type IS-1/115 preferably in holds underneath longitudinal hatch cover joint for separate unloading of container blocks
- The breadth of pressure adapters will be made to measure the required distance between containers. The preferred distance is 258 mm.
- Hot dip galvanised