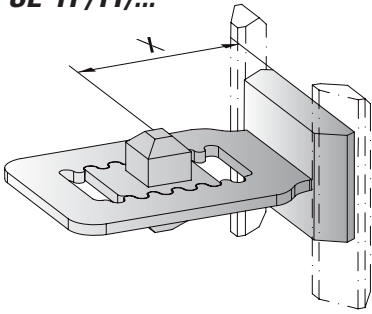
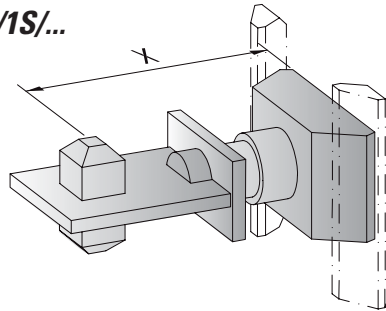


TENSION / PRESSURE ELEMENTS

SE-TP/1T/...



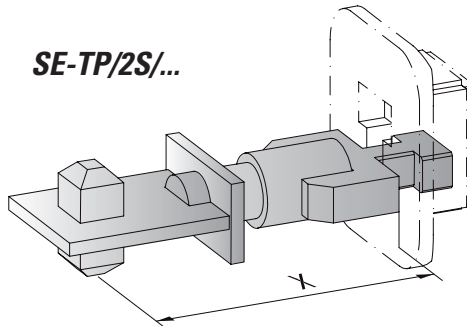
SE-TP/1S/...



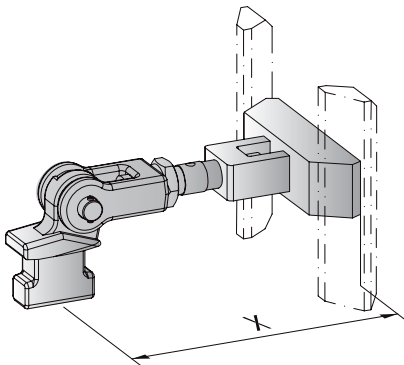
SE-TP/2T/...



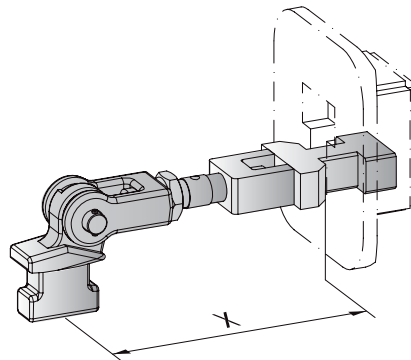
SE-TP/2S/...



SE-TP/1S/.../UP/...

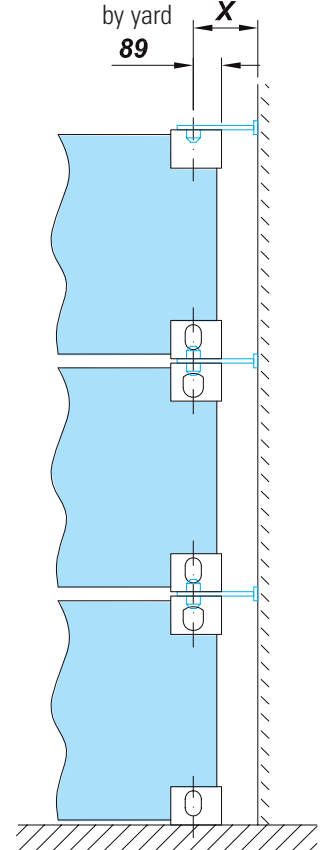


SE-TP/2S/.../UP/...



> Application <

X to be informed
by yard
89



Specification

- Min. breaking loads tension / compression up to 1200 kN
- Approval from any classification society
- Tension/pressure elements without length adjustment are not allowed according to latest rules of Germanischer Lloyd
- Fully galvanised finish
- Length adjustment by thread or saw fish solution
- Custom-made for individual situation on board
- Made of high tensile steel