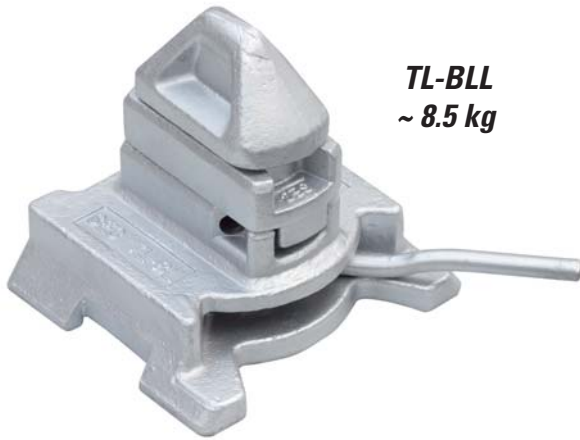
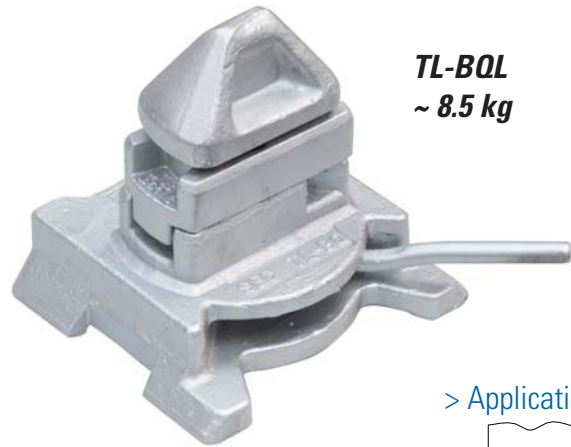


# DOVETAIL TWISTLOCKS FOR LINE LOAD

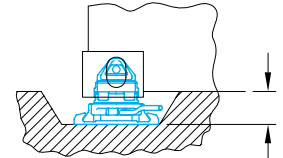


**TL-BLL**  
~ 8.5 kg

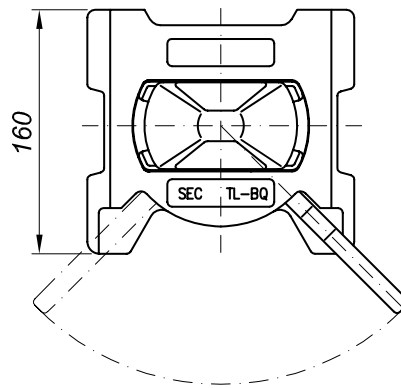
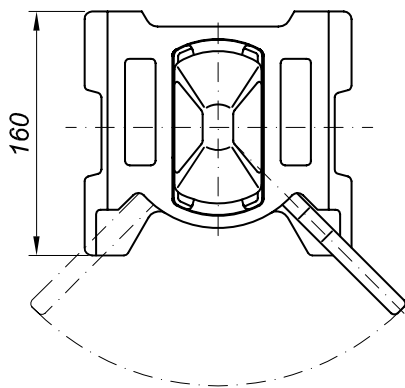
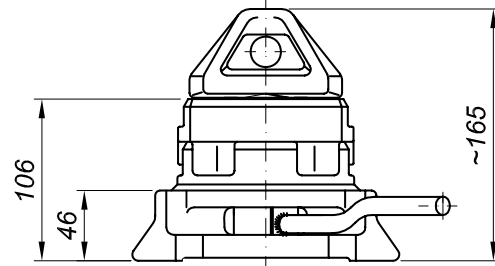
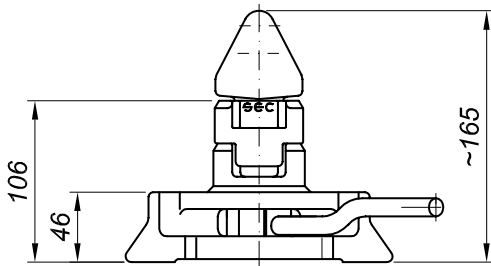


**TL-BQL**  
~ 8.5 kg

> Application <



recess 82-86



## Specification

- Min. breaking load tension 500 kN / shear 420 kN
- Approval from any classification society
- 55° side angle of housing
- Left hand locking
- Hot dip galvanised
- Internal locking mechanism made of stainless steel components
- Depth of recess 82-86 mm in order not to transmit pressure loads