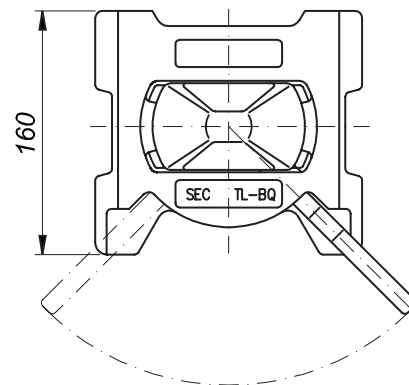
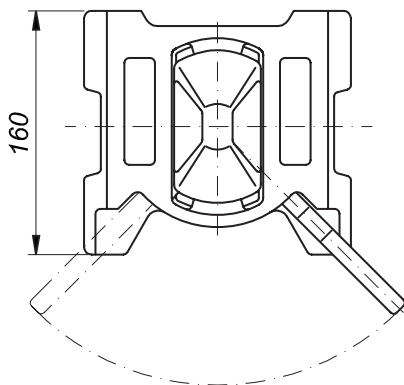
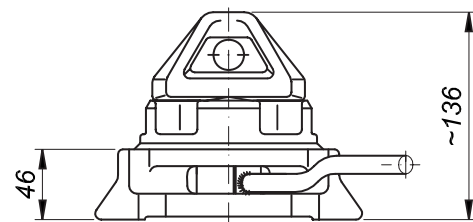
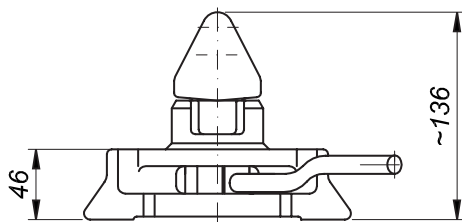


## DOVETAIL TWISTLOCKS FOR POINT LOAD

**TL-BL**  
~ 7.3 kg



**TL-BQ**  
~ 7.3 kg



### Specification

- Min. breaking loads tension 500 kN / shear 420 kN
- Approval from any classification society
- 55° side angle of housing
- Left hand locking
- Hot dip galvanised
- Internal locking mechanism made of stainless steel components