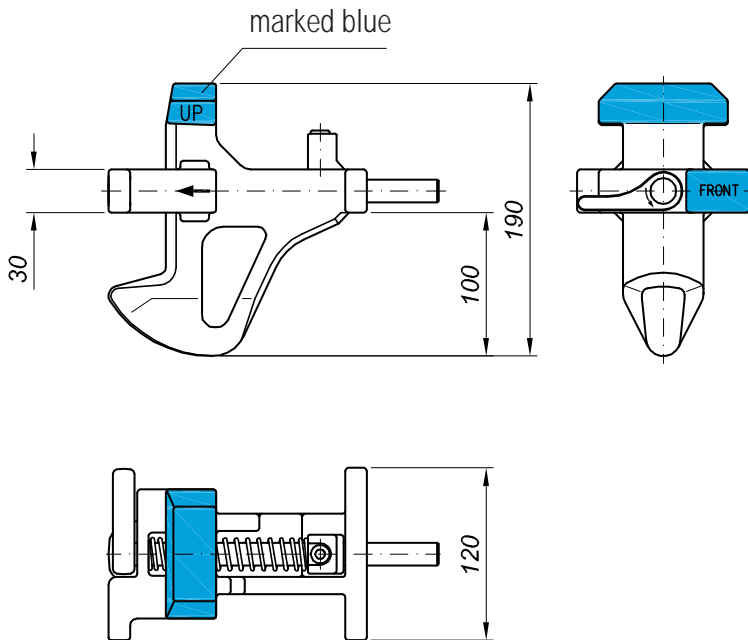
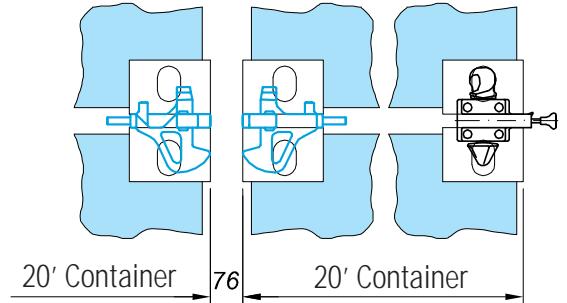


## Midlocks

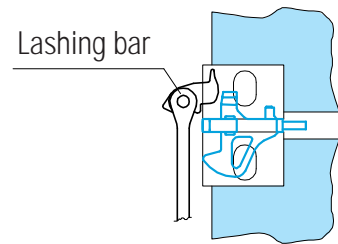
TL-M/L  
~ 6.1 kg



> Application 1 <



> Application 2 <



### Specification

- Min. breaking loads tension 500 kN / shear 420 kN
- Approval from any classification society
- Automatic locking/unlocking at ISO-gap position in combination with semi-automatic twistlocks at opposite container end
- Lashing option in the bottom corner of the upper container
- One piece housing without movable vital parts
- Hot dip galvanised with stainless steel components
- Upper part marked blue
- Can also be used for bottom tier in combination with special shaped foundations