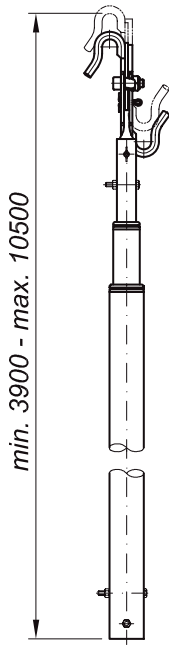
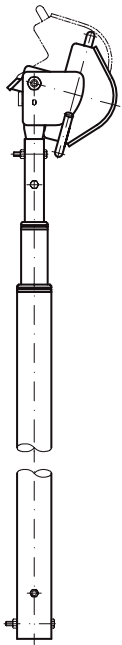


OPERATING RODS



Telescope type for semi-automatic twistlocks

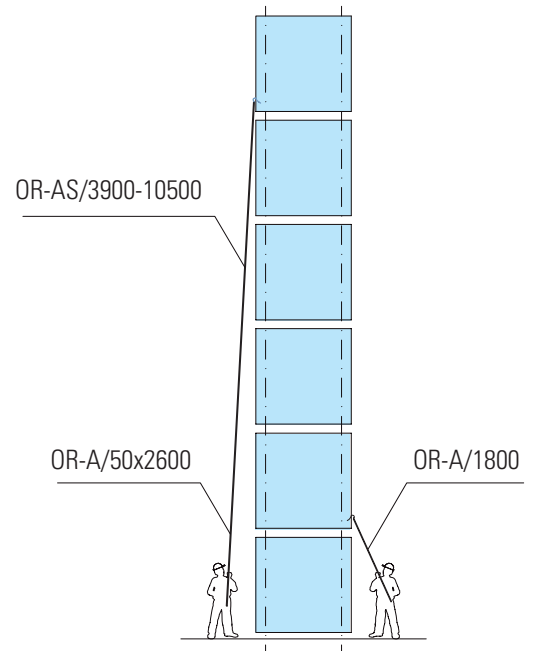
> Application <



Telescopic operating rod
OR-AS/3900-10500
~ 9.1 kg



Extension
OR-A/50x2600
~ 2.1 kg

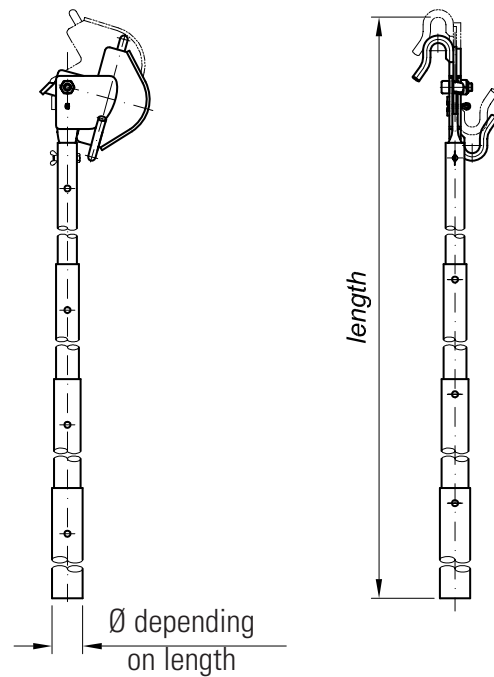
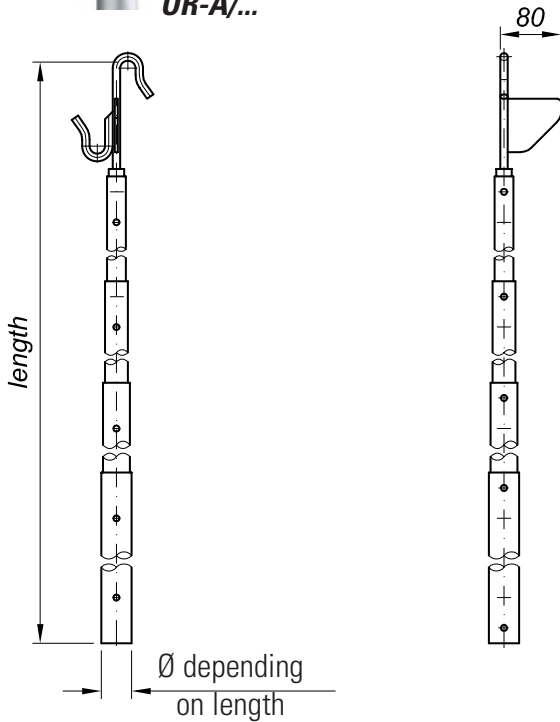


Specification

- Light weight design
- Maximum stiffness
- Made of aluminium tubes
- Free adjustment of length without any tools from top of 2nd tier to top of 4th tier
- In order to reach top of 5th tier the telescopic rod can be extended by additional extension bar 2.60 m
- For top of 1st tier operating rod type OR-A/1800 to be used, please compare to next page
- Advanced head device with seesaw function reducing the pulling force for unlocking of semi-automatic twistlocks

OPERATING RODS

for semi-automatic twistlocks



Type	Length	Tier	Weight
OR-A/1800	1.80 m	1/2	~ 1.1 kg
OR-A/4720	4.72 m	2/3	~ 2.56 kg
OR-A/7640	7.64 m	3/4	~ 4.24 kg
OR-A/10300	10.30 m	4/5	~ 5.87 kg
OR-A/13040	13.04 m	5/6	~ 7.9 kg

Type	Length	Tier	Weight
OR-AS/1800	1.80 m	1/2	~ 1.8 kg
OR-AS/4720	4.72 m	2/3	~ 3.29 kg
OR-AS/7640	7.64 m	3/4	~ 5.0 kg
OR-AS/10300	10.30 m	4/5	~ 6.5 kg
OR-AS/13040	13.04 m	5/6	~ 8.7 kg

Specification

- Light weight design
- Maximum stiffness
- Made of aluminium tubes
- Available in different lengths
- Length adjustment by screw connection
- Type OR-A/.. is the standard operating rod for semi-automatic twistlocks while OR-AS/.. is an advanced version with seesaw function reducing the pulling force for unlocking of semi-automatic twistlocks

OPERATING RODS

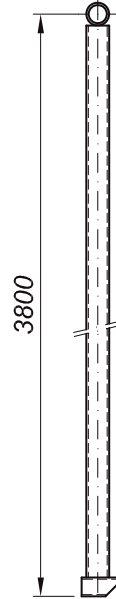
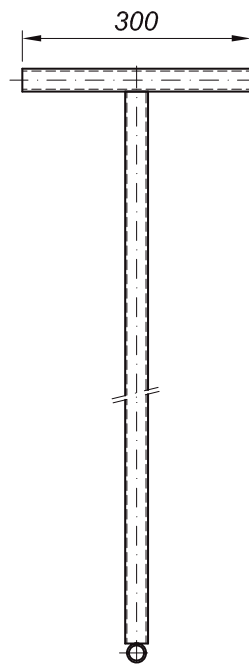
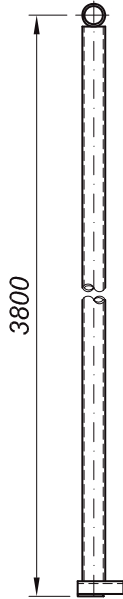
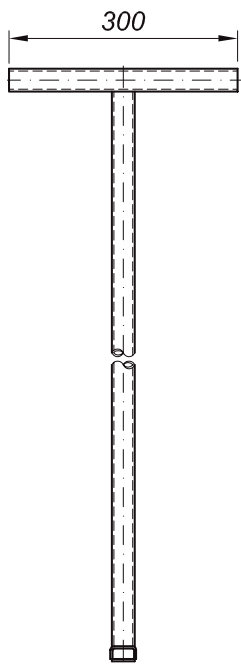
for conventional twistlocks



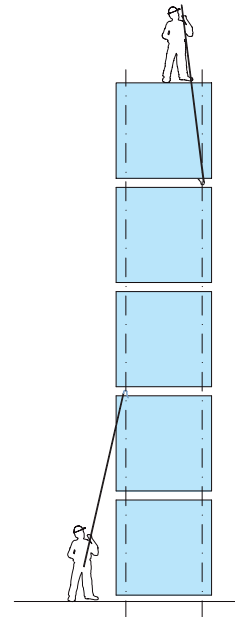
OR-F/3800
~ 2.0 kg



OR-R/3800
~ 2.0 kg



> Application <



Specification

- Light weight design
- Maximum stiffness
- Made of aluminium tubes
- Special length on request
- To be used for conventional twistlocks depending on shape of hand lever, i. e. type OR-F/3800 for twistlock TL-L and TL-GL/L and OR-R/3800 for all types of SEC dovetail twistlocks