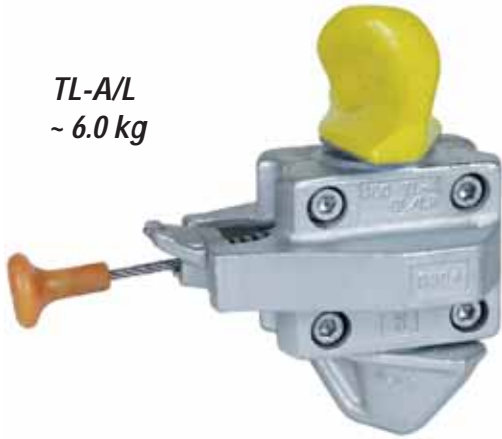
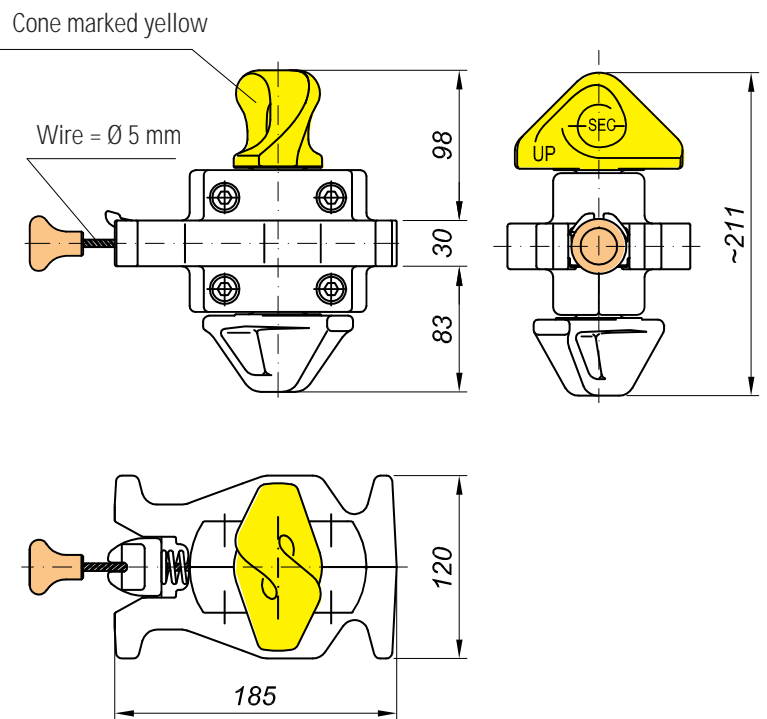
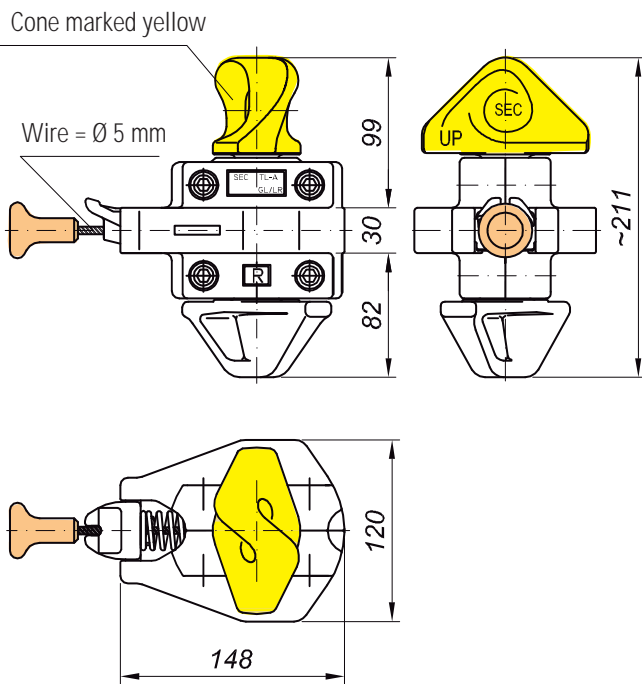
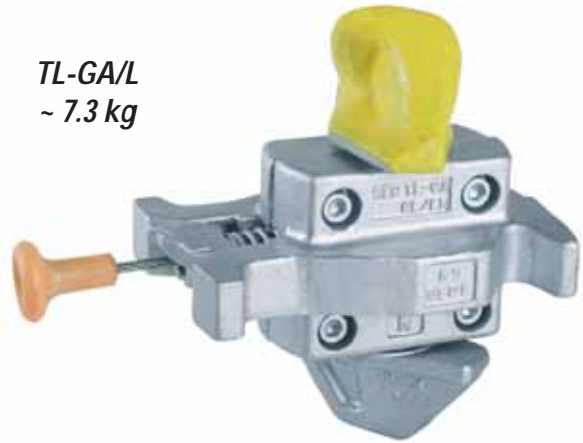


Semi-automatic twistlocks

TL-A/L
~ 6.0 kg



TL-GA/L
~ 7.3 kg



Specification

- Min. breaking loads tension 500 kN / shear 420 kN
- Approval from any classification society
- Dual function for manual and semi-automatic mode
- Type TL-GA/L with large resting area according GL rules for highest pressure forces
- Hot dip galvanised with stainless steel components
- Closed housing
- Upper cone marked yellow
- Semi-automatic twistlocks are also available as luxury version with increased diameter of steel wire.
- Cones are always forged for safety reason