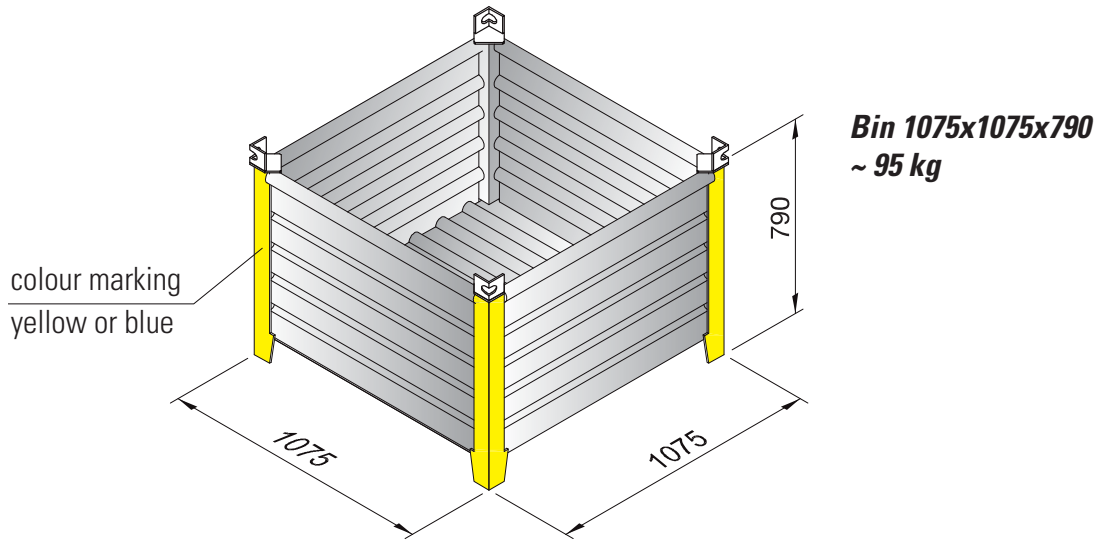


## Storage bins



### Stowage capacity for standard bins:

wooden grating

	without	with
● TL-A/L	240 pcs	220 pcs
● TL-GA/L	220 pcs	200 pcs
● TL-FA/L	300 pcs	300 pcs
● TL-FA/G	240 pcs	220 pcs
● TL-FA/LG	240 pcs	220 pcs
● TL-M/L	240 pcs	220 pcs
IS-1T	420 pcs	420 pcs
IS-1T/L	550 pcs	500 pcs
IS-1T/LG	550 pcs	500 pcs
IS-1T/LF	1100 pcs	1100 pcs

### Specification

- Standardised dimensions
- Can be stacked up
- Drainage holes
- Hot dip galvanised
- Colour marking corresponding to the OSHA equipment to be stowed, i. e. yellow marking for fully/semi-automatic twistlocks and blue marking for midlocks
- Wooden grating for bottom is available on request. In this case the stowage capacity per bin is reduced