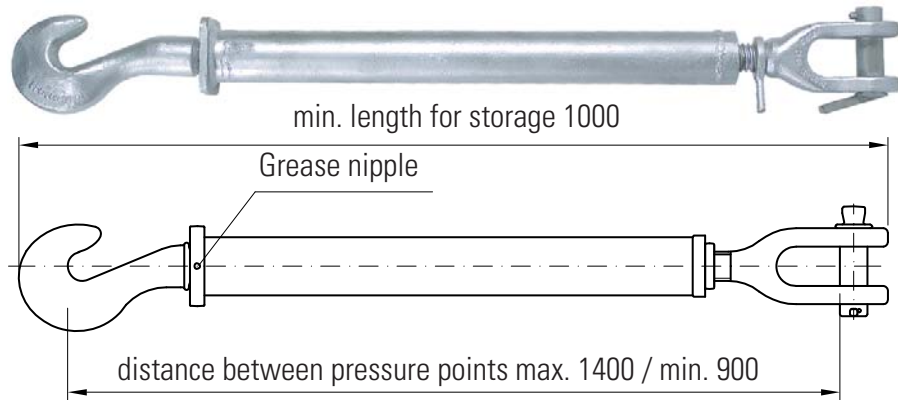
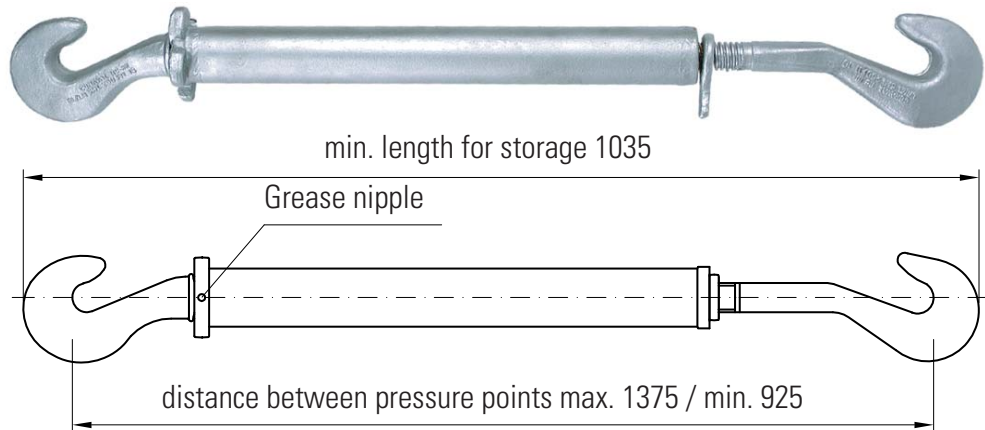


## Turnbuckles

**RS-FH/C/900-1400**  
~ 15.4 kg



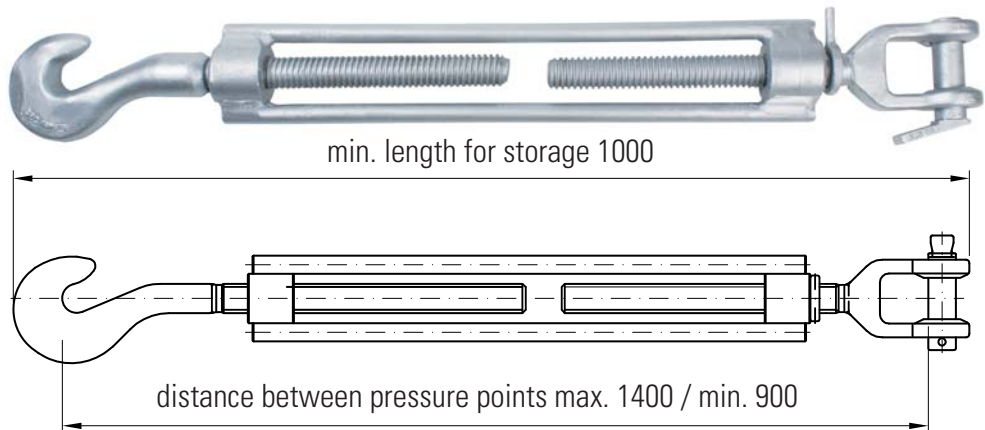
**RS-HH**  
~ 16.0 kg



**Spanner OT-RS-FH/HH**  
~ 2.5 kg



**RS-FH/O/900-1400**  
~ 12.9 kg



### Specification

- Min. breaking load tension 500 kN
- Approval from any classification society
- Hot dip galvanised
- Minimised weight
- Securing screw against self-releasing
- Closed design with long life thread lubrication
- Made of high tensile steel
- To be used preferably for spare parts deliveries