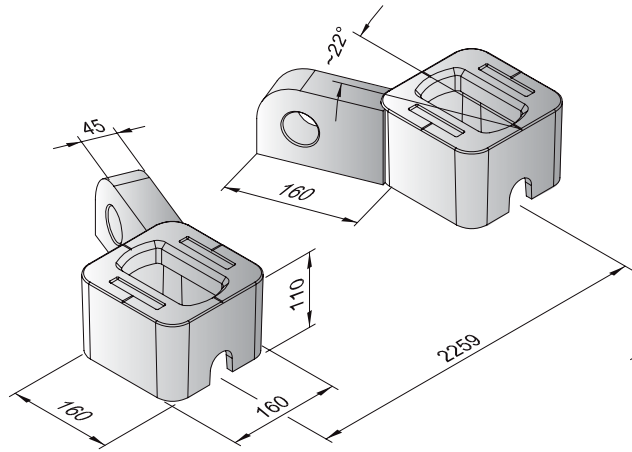


LIFTING FOUNDATIONS

Lifting eyes inclined longitudinally

SF-C1LS/EL/110/U160

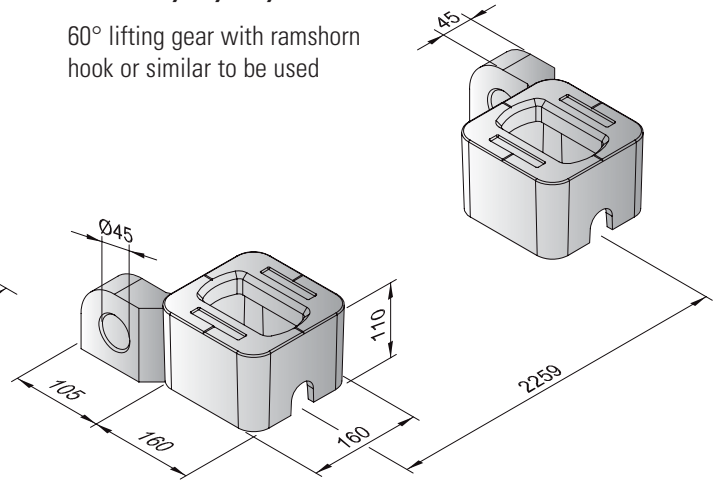


SF-C1LS/ER/110/U160

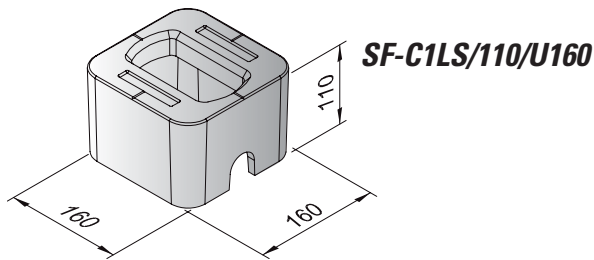
Lifting eyes without inclination

SF-C1LS/ER/110/U160

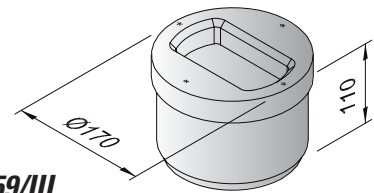
60° lifting gear with ramshorn hook or similar to be used



SF-C1LS/EL/110/U160

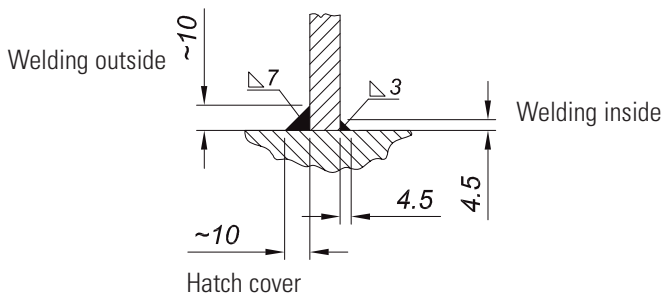


SF-C1LS/110/U160

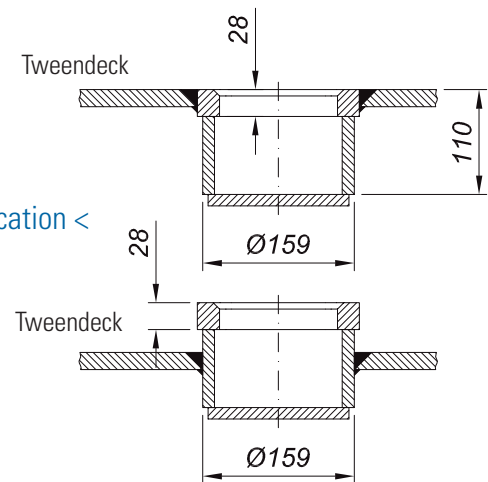


SF-1LS/110/28/R159/III

Welding recommendation



> Application <



Specification

- Min. breaking loads tension 960 kN for hatch cover lifting weights up to 45 tons
- Approval from any classification society
- Standard height 110 mm to suit spreader cones
- Thickness of top plating 28 mm
- Topplate with punchmarks for easy installation
- Weldable inorganic zinc or epoxy shop primer
- Made of high tensile steel