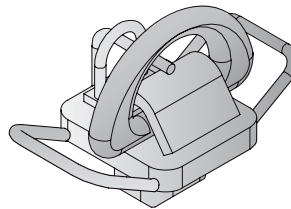
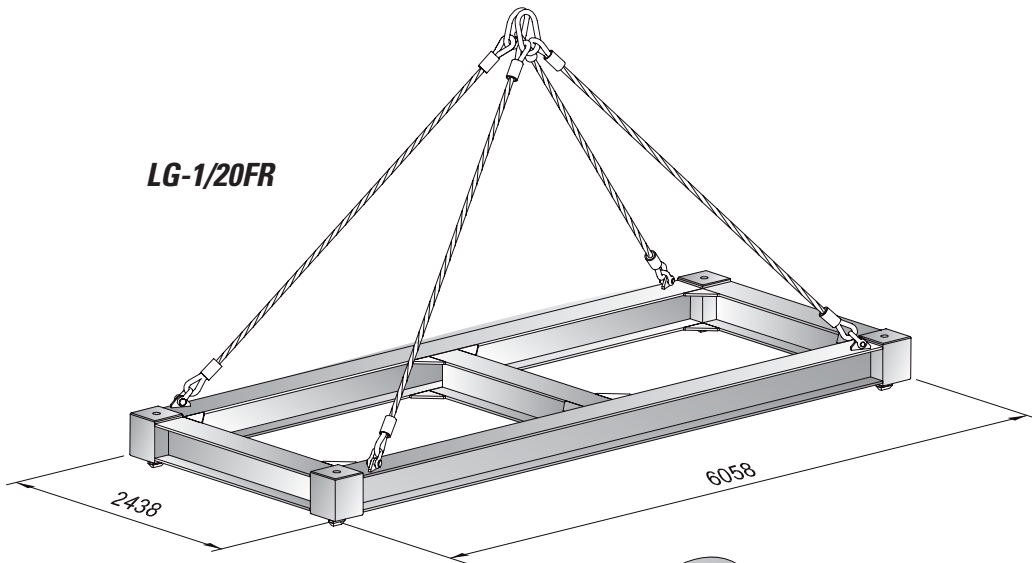
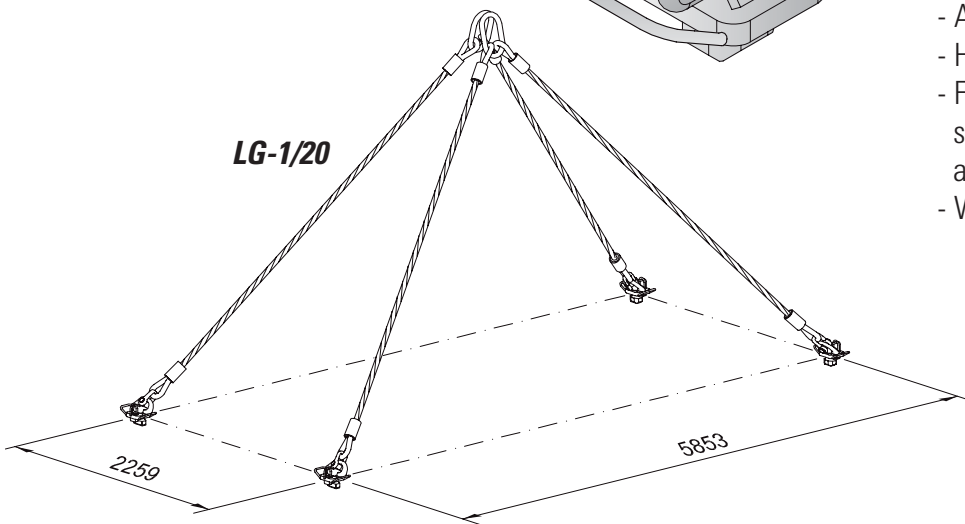


SPREADER AND LIFTING GEAR



Removable lifting eye LGE-50

- Min. breaking load 500 kN
- Approved for lifting purposes
- Hot dip galvanised
- Fits into all foundations with standardized ISO-hole as well as container corner castings
- Weight ~ 12.7 kg



Description

In addition to container lashing gear SEC supplies 20' and 40' spreaders. Combined designs for twin loading of married 20' containers can be delivered. The SEC spreaders are made-to-measure designs. Options such as working platforms, flippers, etc. can easily be added to basic design. In addition to the standard design with manual operation, SEC provides a semi-automatic version. All spreaders are supplied with class lifting gear certificate as standard. This certificate has to be regularly renewed. Furthermore, any other container related lifting gear is available on request. Please apply for details.